

Standard Features:

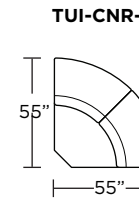
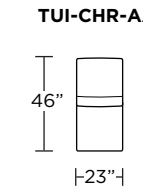
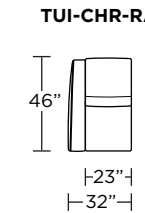
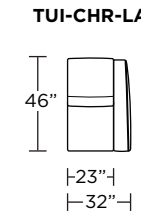
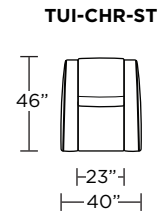
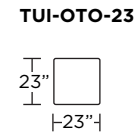
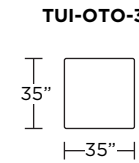
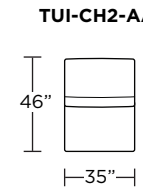
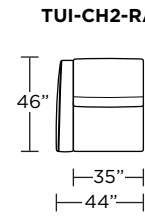
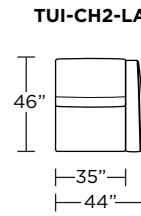
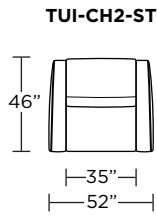
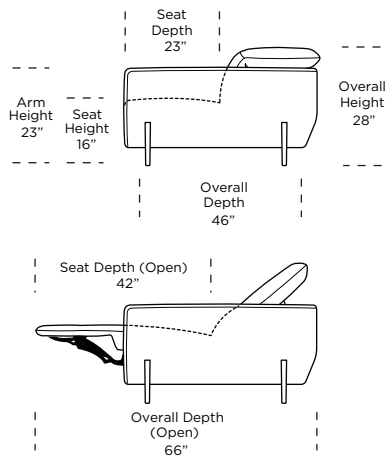
- Premium high-density, high-resiliency foam seat cushions
- Advanced unidirectional suspension system
- Double-needle top-stitch with thick thread
- In-arm control panel is easy to use and includes a 2-amp USB charging port
- Lifetime warranty on frame and suspension
- Five-year warranty on mechanism
- Three-year warranty on motor
- Quick-ship delivery

Options:

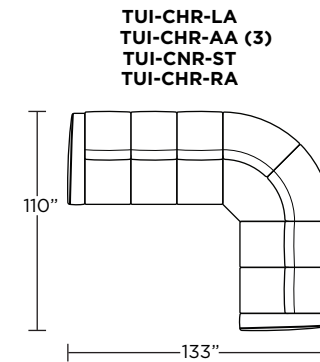
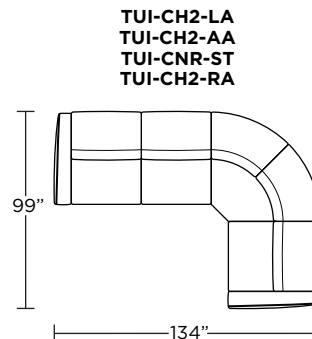
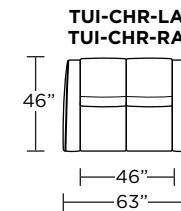
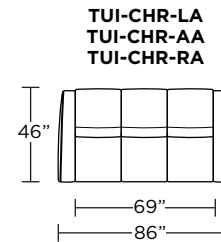
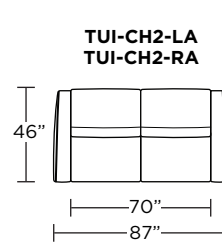
- Contrasting welt detail available
- Contrasting stitch detail available in Black, Brown, Charcoal, Cream, Espresso, Grey, Lemon, Pink, Royal, Scarlet, Tangerine, or Teal thread color
- 2-amp hour lithium-ion battery pack available
- Smart power-distribution hub available
- Easy disassembly for delivery
- Metal legs available in Antique Brass, Burnished Bronze, or Polished Nickel

Please use actual leather, fabric, Crypton®, Sunbrella® and Ultrasuede® swatches when specifying furniture as the colors shown may vary due to the printing process.

Note: Microfiber fabrics such as SUEDELIFE and VEELIFE not suggested for this style. Please contact American Leather® Support Services for a complete list of recommended fabrics.



Suggested Configurations



Safe low voltage electrical components are UL listed.

Scale : 1/8 inch = 1 foot
All dimensions are approximate and subject to change.
Specify all components from the sitting position.